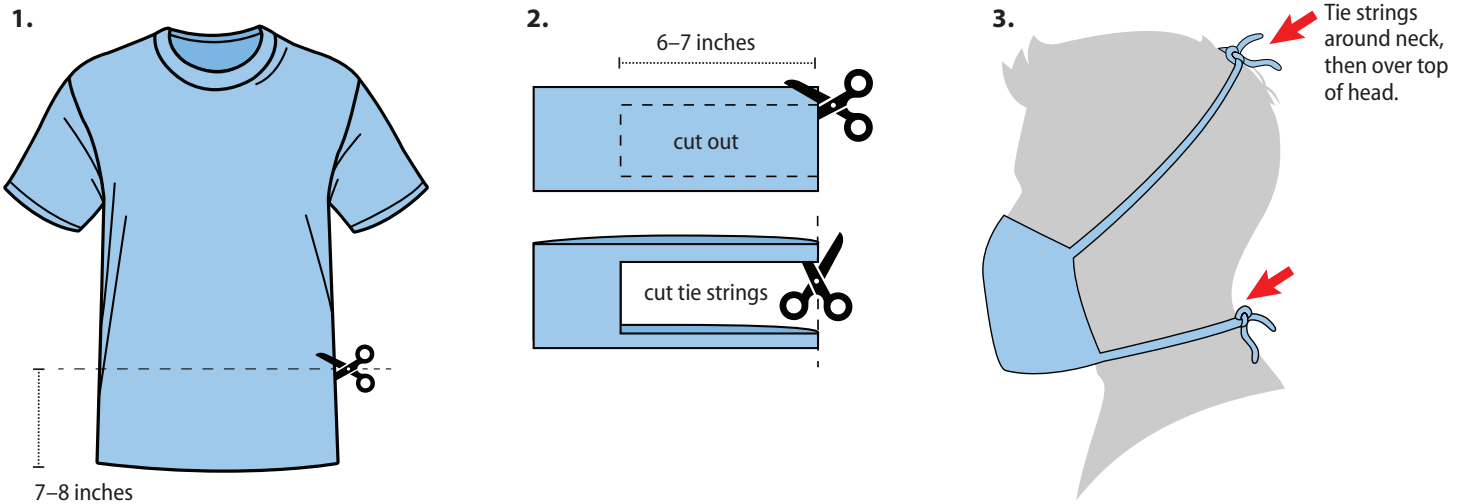


Quick Cut T-shirt Face Cover (no sew method)

Materials

- T-shirt
- Scissors

Tutorial



Bandanna Face Cover (no sew method)

Materials

- Bandana (or square cotton cloth approximately 20"x20")
- Coffee filter
- Rubber bands (or hair ties)
- Scissors (if you are cutting your own cloth)

Tutorial

